

SONATA SERIES

Remote Water Cooling Systems

Sonata Series water cooling systems remotely supply chilled drinking water to a faucet or fountain. Available in three different configurations to suit your application, whether it be a school-yard bubbler or workshop fountain.



KEY FEATURES

- Available in a low-volume and two heavy-duty configurations
- Waterways are lead-free in materials and construction
- Constructed from heavy-duty galvanised steel
- Stainless steel cooling tank
- Refrigerant R-134a
- Adjustable thermostat
- Features a 1.5L Tank

Sonata remote drinking water systems deliver between 3.8 and 45.0 L/h (model specific) of water at 10 °C cooled from 27 °C inlet water at 32 °C ambient. The evaporator uses copper evaporator tubes on stainless steel water storage tank, both of which are encapsulated in insulation. The R-134a refrigerant system is hermetically sealed and refrigerant is capillary-tube controlled. An adjustable thermostat having an off position controls the refrigeration system. Available in the larger capacity SMC30 or SMC45 model with galvanised steel finish or the lower-volume SMC4 with a powder coated cabinet and plastic front.

Optional accessories available for SMC30 and SMC45 include: wall mounted cradle and stainless steel grille and shelf support.

SMC30 and SMC45 models offer a 5-year limited warranty. SMC4 offers a 1-year warranty.



SMC30 and SMC45



SMC4

Model Selection Chart

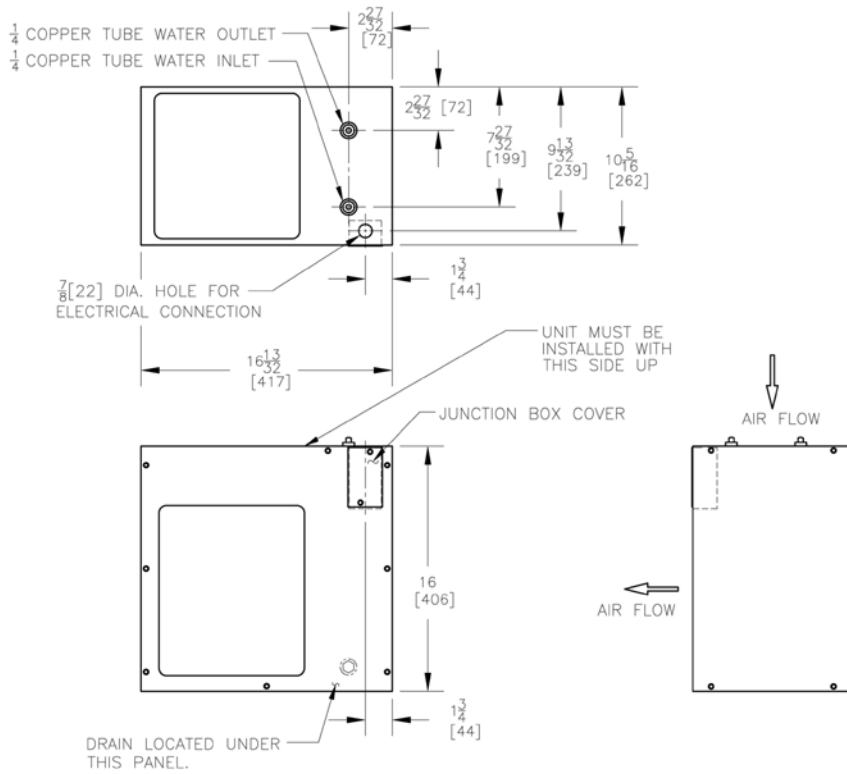
Model	Rated Capacity	Compressor HP	Full Load Amps	Rated Watts	Cabinet Finish	Net Weight (Approx.)
SMC4	3.8 L/h	1/20	1.2 A	135 W	White / Gray	14 kg
SMC30	30.0 L/h	1/4	4.8 A	550 W	Galvanised Steel	24 kg
SMC45	45.0 L/h	1/3	5.4 A	620 W	Galvanised Steel	24 kg

Your Partner in Cool.

AQUA
COOLER

TECHNICAL DRAWINGS

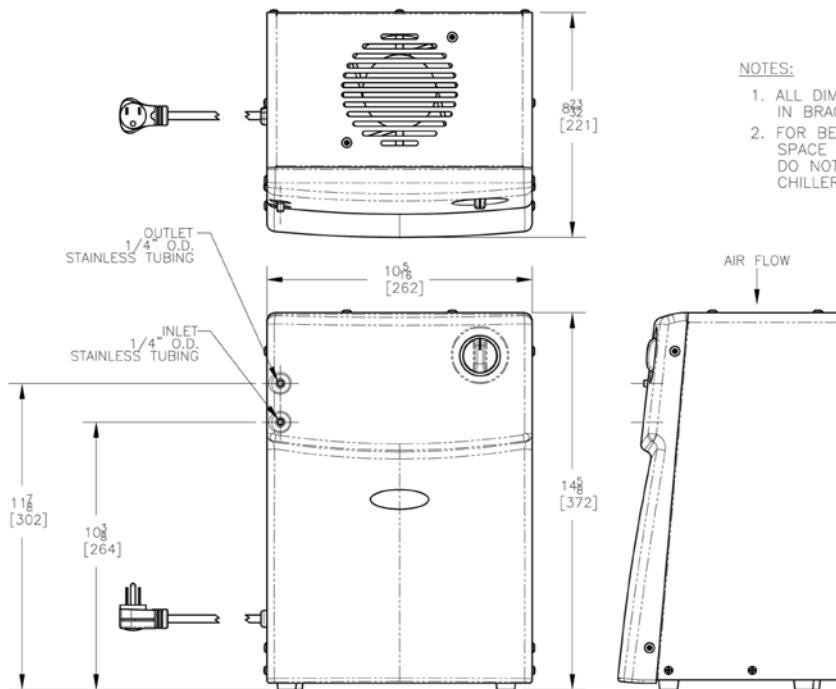
SMC30 and SMC45



NOTES:

1. ALLOW 5 INCHES [127 MM] MIN. PER VENTILATED SIDE.
2. ALL DIMENSIONS ARE IN INCHES. DIMENSIONS IN BRACKETS [] ARE IN MILLIMETERS.
3. NOT FOR USE WITH R.O. WATER.

SMC4



NOTES:

1. ALL DIMENSIONS ARE IN INCHES. DIMENSIONS IN BRACKETS [] ARE IN MILLIMETERS.
2. FOR BEST PERFORMANCE, ALLOW A 2" [51] SPACE AROUND THE SIDE AND THE TOP. DO NOT PUT ANY OBJECTS ON TOP OF THE CHILLER THAT COULD OBSTRUCT THE FAN.

d0007 This document is available digitally on our website at www.aquacooler.com.au/doc/d0007